

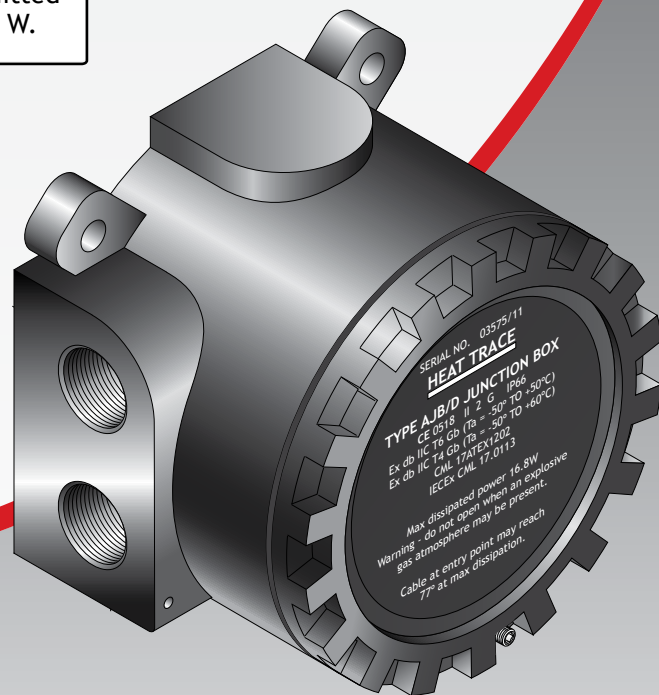
Junction box for use with electric trace heating systems

- Available for use in safe and hazardous areas.
- Enclosures suitable for Gas groups IIA, IIB and IIC.
- IP66 rated.
- Full range of accessories and termination kits available.

INTRODUCTION

The AJB/D Junction Box comprises a cylindrical die cast aluminium enclosure with a threaded cover. The cover incorporates a sealing ring to offer weatherproofing. The enclosure has four lugs with plain holes that are used to fix the enclosure to the mounting surface. Cable entry holes are provided for the accommodation of suitably certified cable glands or stopping plugs between the fixing lugs. External and internal earthing facilities are provided.

The AJB/D Junction Box is fitted with a general purpose terminal block, with maximum permitted dissipated power inside the enclosure is 16.8 W.



SPECIFICATION

TERMINAL BLOCKS:

Weidmuller - Klippon Terminals

Maximum Terminal Block Dimensions 83(L) x 33(W) x 26.5(H)

Wire Capacity (mm ²)			Maximum Ratings		
Type	Min	Max	Volts	Amps	Qty
SAK2.5	0.5	2.5	550	15	10
SAK4	0.5	4.0	550	15	8
SAK6N	0.5	6.0	550	18	6
SAK10	2.5	10	550	37	4
WDU2.5	0.22	2.5	726	15	8
BK3-BK8	0.5	4.0	275	21	1
MK6/3-4-6	0.5	6.0	418	18	1

Entrelec Terminals

Wire Capacity (mm ²)			Maximum Ratings		
Type	Min	Max	Volts	Amps	Qty
MA2.5/5	0	2.5	380	15	10
MA4/6	0	4.0	660	30	8

TERMINALS: Electrical connections 2.5mm² terminals (incoming/outgoing)

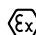
MAX. POWER DISSIPATION: 16.80W

APPROX VOLUME: 560cm³

APPROVAL DETAILS:

ATEX - CML 19ATEX1461
IECEX - IECEX CML 17.0113

EQUIPMENT MARKING:

 II 2 G
 Ex db IIC T6 Gb
 Ta= -50°C ≤ Ta ≤ +50°C

 Ex db IIC T4 Gb
 Ta= -50°C ≤ Ta ≤ +60°C

INGRESS PROTECTION: IP66

ENCLOSURE: AJB/D

Material: Cast Aluminium

Finish: Anodised black, Paint, Powder Coating or Epoxy

Conduit entries: 3 x 6 - 25mm Diameter

Dimensions: 130 x 130 x 93mm

Weight: 1.5kg

Protection: Ex(db)

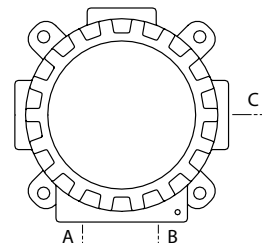
Area Suitability: Zone 1 or 2 IIA or IIB or IIC

EARTHING: Internal and external earthing options available.

ENTRIES:

Standard entries are 3 x M20 x 1.5.

Alternatives upon request are: M16 x 1.5 and M25 x 1.5. To order Enclosures with alternative entries, please provide a full description of your requirements.



BLANKING PLUGS:

The equipment is not supplied with blanking plugs or cable glands, it is the responsibility of the user to ensure that suitably certified glands/plugs are fitted that do not affect the type of protection.

A bottom entry may also be fitted with Peppers type 781D breather / drain plug.

(Sira 10ATEX1307U / IECEx SIR 10.0149U).

Only use approved termination methods that are provided.

ORDERING INFORMATION:

Example

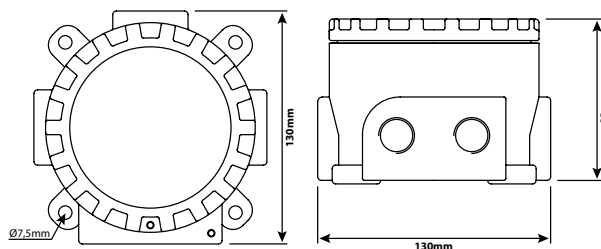
Aluminium

Junction Box

Hazardous Area Version

AJB/D

DIMENSIONS:



HEAT TRACE™

SETTING THE STANDARDS LEADING THE WAY

Heat Trace Ltd, Mere's Edge, Chester Road, Helsby, Frodsham, Cheshire, WA6 0DJ, England.

Tel: +44 (0)1928 726451 Fax: +44 (0)1928 727846

www.heat-trace.com Email: info@heat-trace.com

The information given herein, including drawings, illustrations and schematics (which are intended for illustration purposes only), is believed to be reliable. However, Heat Trace Ltd makes no warranties as to its accuracy or completeness and disclaims any liability in connection with its use. Users of Heat Trace Ltd products should make their own evaluation to determine the suitability of each such product for specific applications. In no way will Heat Trace Ltd be liable for any damages arising out of the misuse, resale or use of the product.