

# BES & BPS

## Silicone End and Power Seals

- Up to +250° C Ambient Temperature Range.
- Specifically designed for use with Heat Trace's constant power or self-regulating trace heating cables.
- Suitable for use in safe and hazardous areas.
- Can be used with Standard Termination Systems.

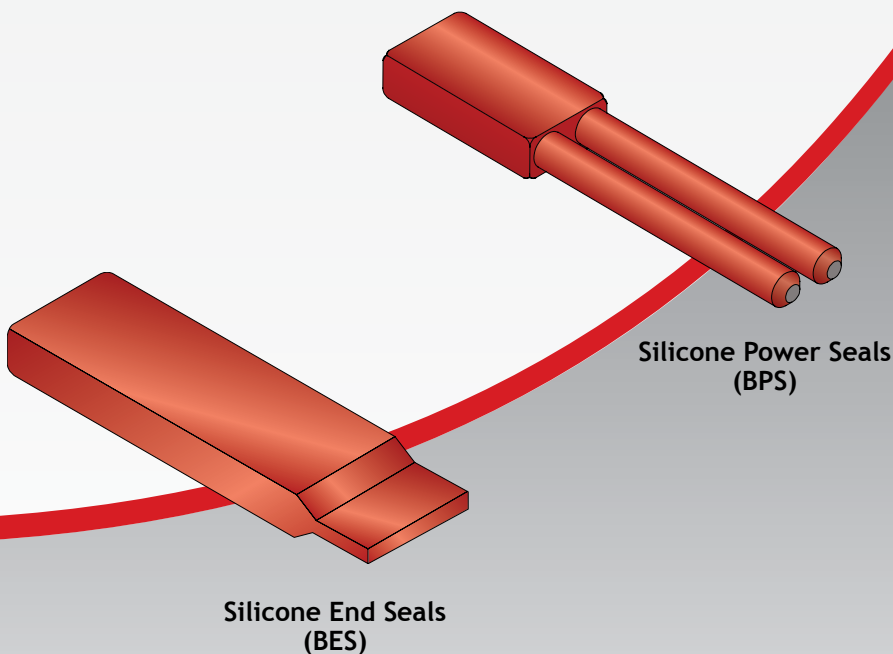
### DESCRIPTION

A range of Hazardous area devices used for field terminating trace heating cable for voltages up to 277VAC.

The Blanking End Seal (BES) is available in two sizes and used to provide an electrically safe end termination for cable.

The Blanking Power Seal (BPS) is also available in two sizes to accommodate our cable range and is used to provide a seal for the end of the cable whilst enabling it to be connected to the power supply.

Two types of sealants are available to provide two temperature ranges.



**HEAT TRACE™**  
SETTING THE STANDARDS LEADING THE WAY



The **Heat Tracing Authority™**

## SPECIFICATION

**TEMPERATURE RANGE (STANDARD RTV):** -40°C to 180°C (-40°F to 356°F)

**TEMPERATURE RANGE (HIGH TEMPERATURE RTV):** -40°C to 250°C (-40°F to 482°F)

**MATERIAL:** Silicone Rubber

**INGRESS PROTECTION:** IP67


### SUITABLE FOR USE WITH:

BPS4	FSM-Cx; FSR-Cx; FSE-Cx; FSU-Nx; FLVw-Cx; FSS-Cx; MTFJ-Cx; PHT-Nx; AHT;
BPS5	FSEw-Cx; FSUw-NX
BES4	FSM-Cx; FSR-Cx; FSE-Cx; FSEw-C; FLVw-Cx; FSS-Cx; FSU-Nx; FSUw-N; MTFJ-Cx; PHT-Nx; AHT;
BES5	FSEw-Cx; FSUw-NF;

### APPROVAL DETAILS:

ATEX	- CML 19ATEX3390U
IECEX	- CML 19.0133U
EAC*	- TC RU C-GB.MIO62.B.06041

### ATEX MARKINGS:


 II 2 GD  
 Ex 60079-30-1 IIC Gb  
 Ex 60079-30-1 IIIC Db

### COMPONENTS:

BPS	An earth sleeve and ring crimp are provided for braided cable
BES	A ferrule crimp is provided for braided cable

### ORDERING INFORMATION:

Example: **BES 4**

End Seal \_\_\_\_\_  
 Size of Seal\* \_\_\_\_\_

Example: **BPS 4**

Power Seal \_\_\_\_\_  
 Size of Seal\* \_\_\_\_\_

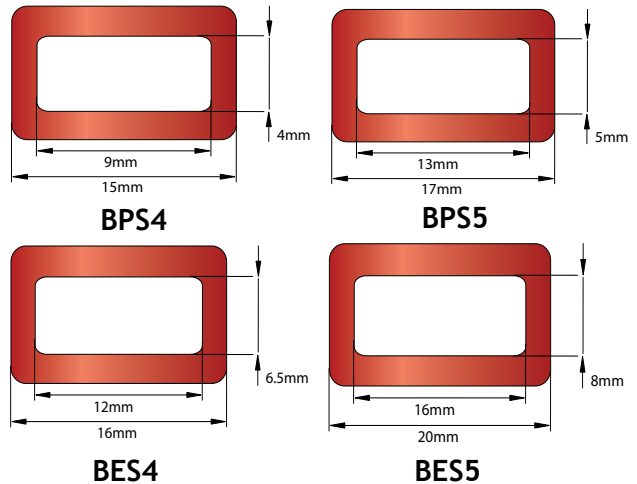
\*BES and BPS are sold as individual kits, packs of five kits, or included as part of our standard termination kits including:

UTK144; UTK344; UTK545; UTK554; UTK555

*\*For more information and the full list of kits please see our website and the Termination matrix.*

*Please refer to our termination matrix for correct use of these kits.*

### DIMENSIONS:



### INSTALLATION EXAMPLE:

