

Temperature control of Heat Trace circuits in SAFE areas only.

- Three wide span temperature ranges.
- Stainless steel sensor and capillary tube.
- Optional stainless steel armoured capillary.
- Optional over-temperature lock-out.

## FEATURES

Capstats are temperature adjustable ON-OFF thermostats comprising a liquid filled sensing bulb connected to an electrical contactor switch, via a capillary tube.

Expansion of the liquid on rise in temperature causes the contactor switch to open, removing power from the heating circuit. As a liquid cools, the switch closes, energising the heater(s).

Capstats may control surface temperatures such as pipes or vessels. Alternatively, the sensing bulb may be positioned to sense the air temperature.

Capstats may be used to provide process temperature control in safe areas, by switching the heating circuits at the desired temperature.

The addition of a high limit cut-out switch (as provided with the Capstat-Dual version) is specified when the heat tracing scheme will not stabilise at a safe temperature without process control. The high limit cut-out switch will operate if the process control switch fails, or if an unsafe process temperature occurs.

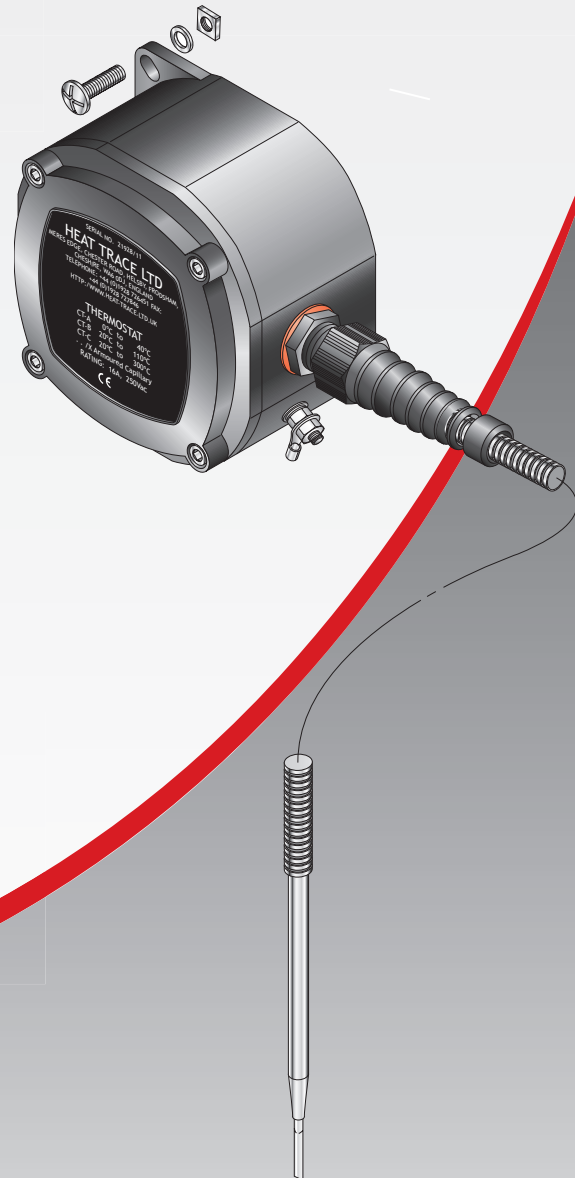
## OPTIONS

CT	Capstat for use in safe areas.
CT../X	Optional armoured capillary provides additional mechanical protection for the capillary tube(s).
CT..DUAL	Over-temperature lock-out (20° - 300° C).

Factory preset - over-temperature setting must be supplied with the purchase order.

**NOTE:**

For certified hazardous areas, CT-FL Capstats are available (see separate datasheet).



## SPECIFICATION

### THERMOSTAT SPECIFICATION:

	Type A	Type B	Type C
Temp Range (°C)	0-40	20-110	20-300
Setting Accuracy	±6	±6	±14
Switch Differential (°C)	2±1.5k	4±2k	10±4k
Max Sensor Temp (°C)	110	140	320
Min Sensor Temp (°C)	-20	-20	-15
Capillary Tube Length(m)	1.5	1.5	1.5
Capillary Tube Material	Stainless Steel		
Capillary Tube Protection	Stainless Steel Conduit (optional)		
Sensor Diameter (mm)	6	6	6
Sensor Length (mm)	143.5	140	89.5
Sensor Type	Liquid Filled		
Sensor Material	Stainless Steel		

**SWITCH TYPE:** Single Pole, Single Throw Changeover

**SWITCH RATING:** 16A (Max), 230/400V Resistive Load

**SWITCH LIFE:** 100,000 Operations

**TEMPERATURE SETTING ADJUSTMENT:** Internal Tamperproof Knob

### ENCLOSURE:

	CT
Material	Glass Reinforced Polyamide
Finish	Matt Black
Conduit Entries	3 x 16 - 25mm Dia
Dimensions	121 x 121 x 76
Weight	0.9kg
Ingress Protection	IP66/68 (with suitable glands)
Area Suitability	Safe

### TERMINALS:

Electrical connections 2.5mm<sup>2</sup> terminals (incoming/outgoing)

### ORDERING INFORMATION:

Example  
 Capstat Capillary Thermostat \_\_\_\_\_  
 Temperature Range (0-40°C) \_\_\_\_\_  
 Optional Armoured Capillary \_\_\_\_\_  
 Dual Lock-out\* \_\_\_\_\_

CT-A/X/DUAL

\*When ordering a dual thermostat, please state the maximum permissible workpiece surface temperature (factory preset).

### 'DUAL' SPECIFICATION:

	Low Temperature Thermostat	High Temperature Thermostat
Temperature Range	35 - 120°C	100 - 320°C
Switching Differential	+/- 4.5°C	+/- 8°C
Maximum Sensor Temperature	As indicated for types A, B or C is appropriate.	
Probe Diameter x Length	6mm x 1067mm	3mm x 875mm

### EARTHING:

Internal and external earthing options available.

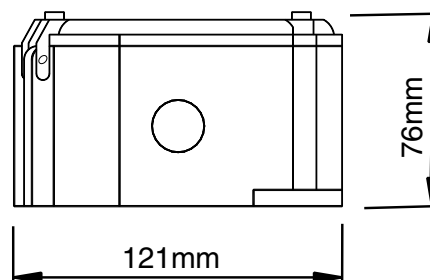
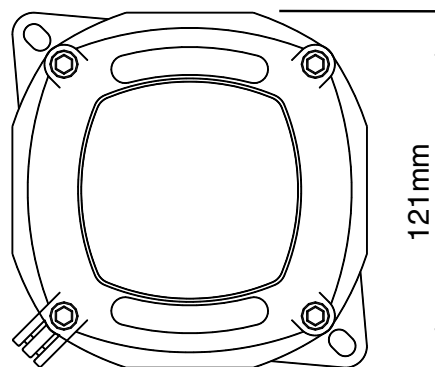
**MINIMUM AMBIENT TEMPERATURE:** -40°C (+40°F)

**MAXIMUM AMBIENT TEMPERATURE:** +50°C (+122°F)

### BLANKING PLUGS:

The equipment is not supplied with blanking plugs or cable glands.

### CT DIMENSIONS:



# HEAT TRACE™

SETTING THE STANDARDS LEADING THE WAY

Heat Trace Ltd, Mere's Edge, Chester Road, Helsby, Frodsham, Cheshire, WA6 0DJ, England.

Tel: +44 (0)1928 726451 Fax: +44 (0)1928 727846

www.heat-trace.com Email: info@heat-trace.com

The information given herein, including drawings, illustrations and schematics (which are intended for illustration purposes only), is believed to be reliable. However, Heat Trace Ltd makes no warranties as to its accuracy or completeness and disclaims any liability in connection with its use. Users of Heat Trace Ltd products should make their own evaluation to determine the suitability of each such product for specific applications. In no way will Heat Trace Ltd be liable for any damages arising out of the misuse, resale or use of the product.